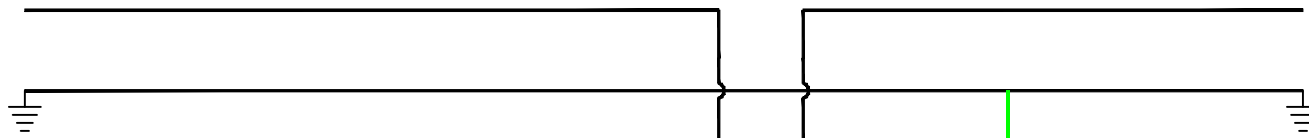


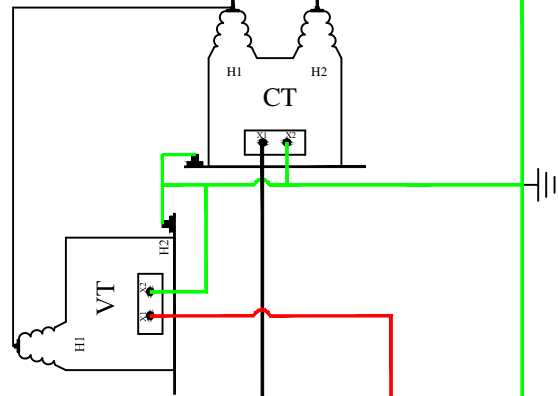
Line

Load

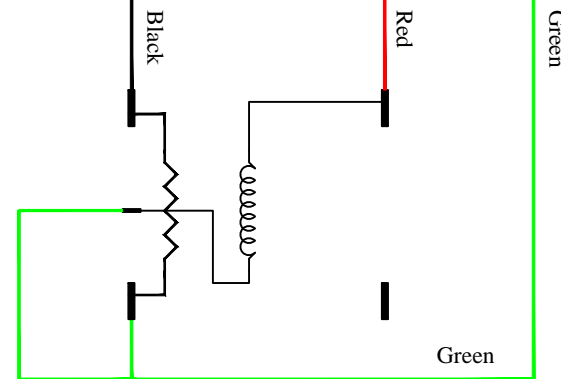


Single Phase  
2 Wire  
Primary metering

Available Voltage:  
7,200V Line to Neutral



VT Ratio  
7,200/120V



FM3S  
120V

Meter Socket  
Must Be Grounded