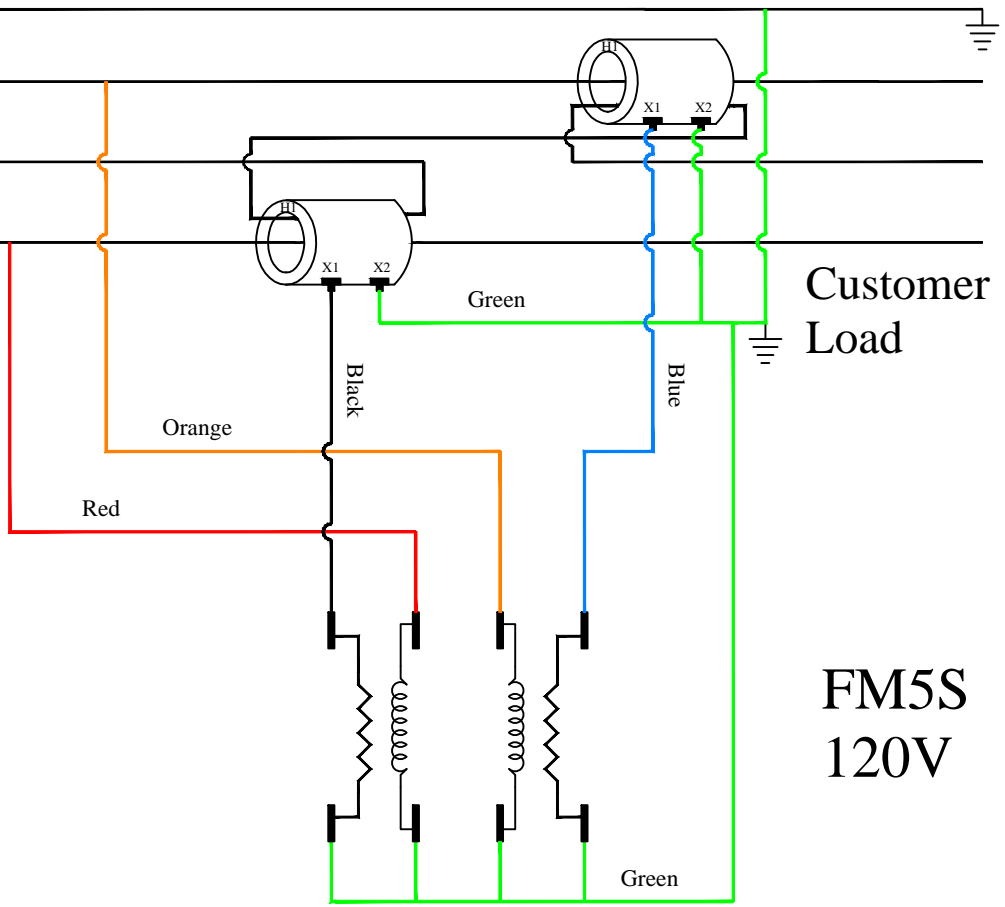


Three Phase  
4 Wire Wye  
120/240 Transformers

Available Voltage:  
120V Line to Neutral  
208V Line to Line



Do Not  
Cut CT Ratio in Half  
(count as 1 turn)

Meter Socket  
Must Be Grounded

Customer  
Load

FM5S  
120V