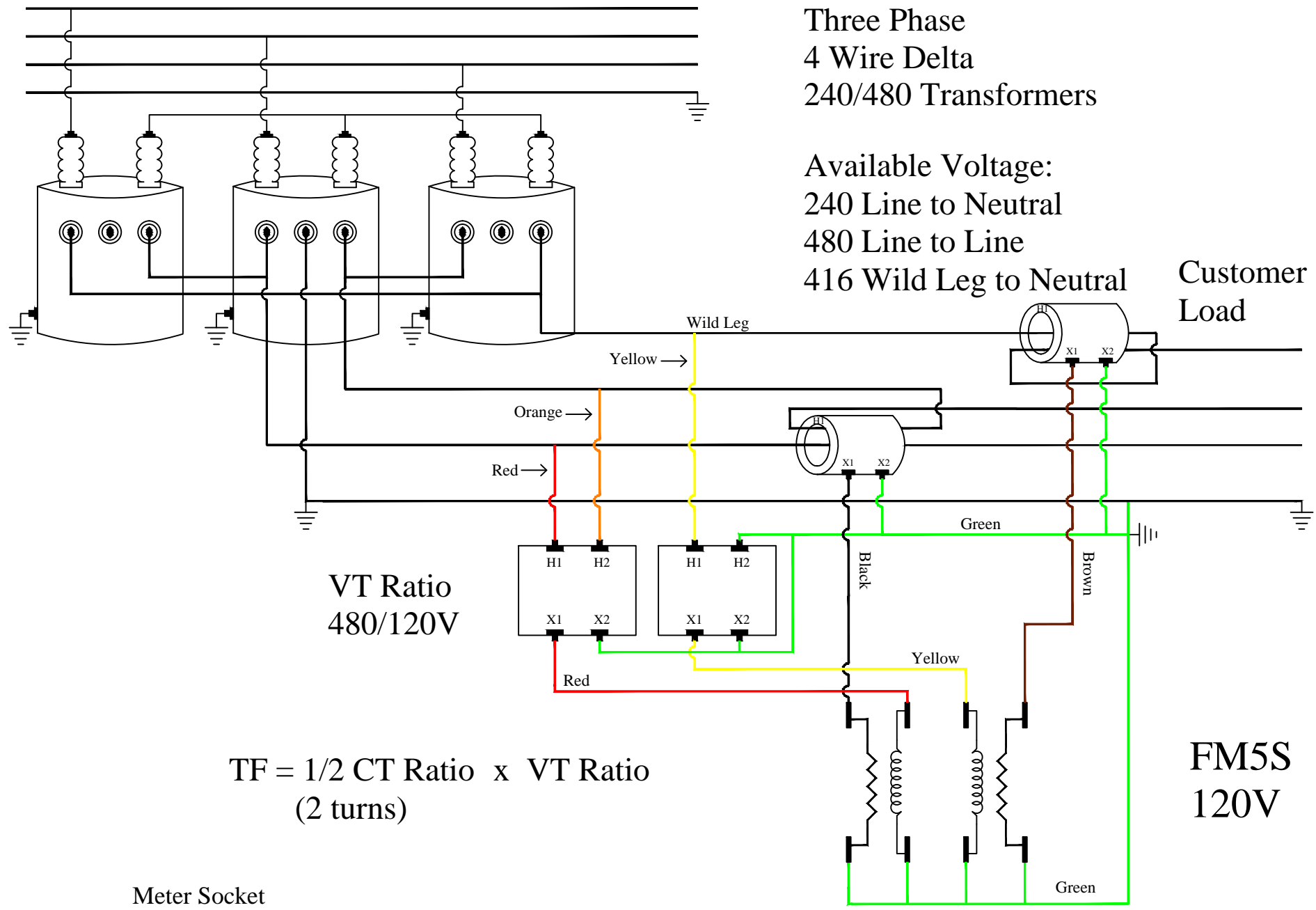


Three Phase
4 Wire Delta
240/480 Transformers

Available Voltage:
240 Line to Neutral
480 Line to Line
416 Wild Leg to Neutral

Customer
Load



VT Ratio
480/120V

$$TF = 1/2 \text{ CT Ratio} \times \text{VT Ratio}$$

(2 turns)

Meter Socket
Must Be Grounded

FM5S
120V