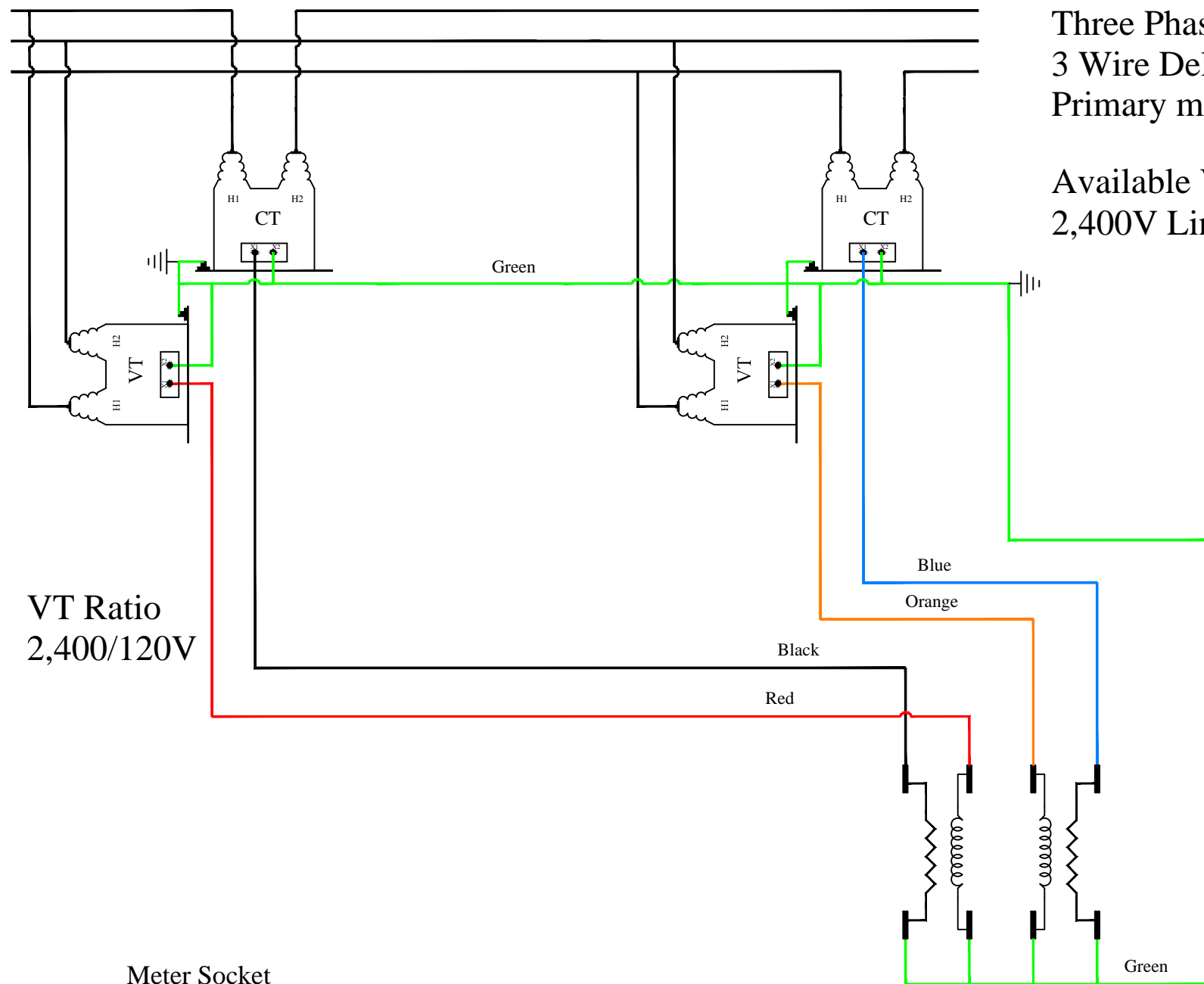


Line

Load



Three Phase  
3 Wire Delta  
Primary metering

Available Voltage:  
2,400V Line to Line

VT Ratio  
2,400/120V

FM5S  
120V

Meter Socket  
Must Be Grounded