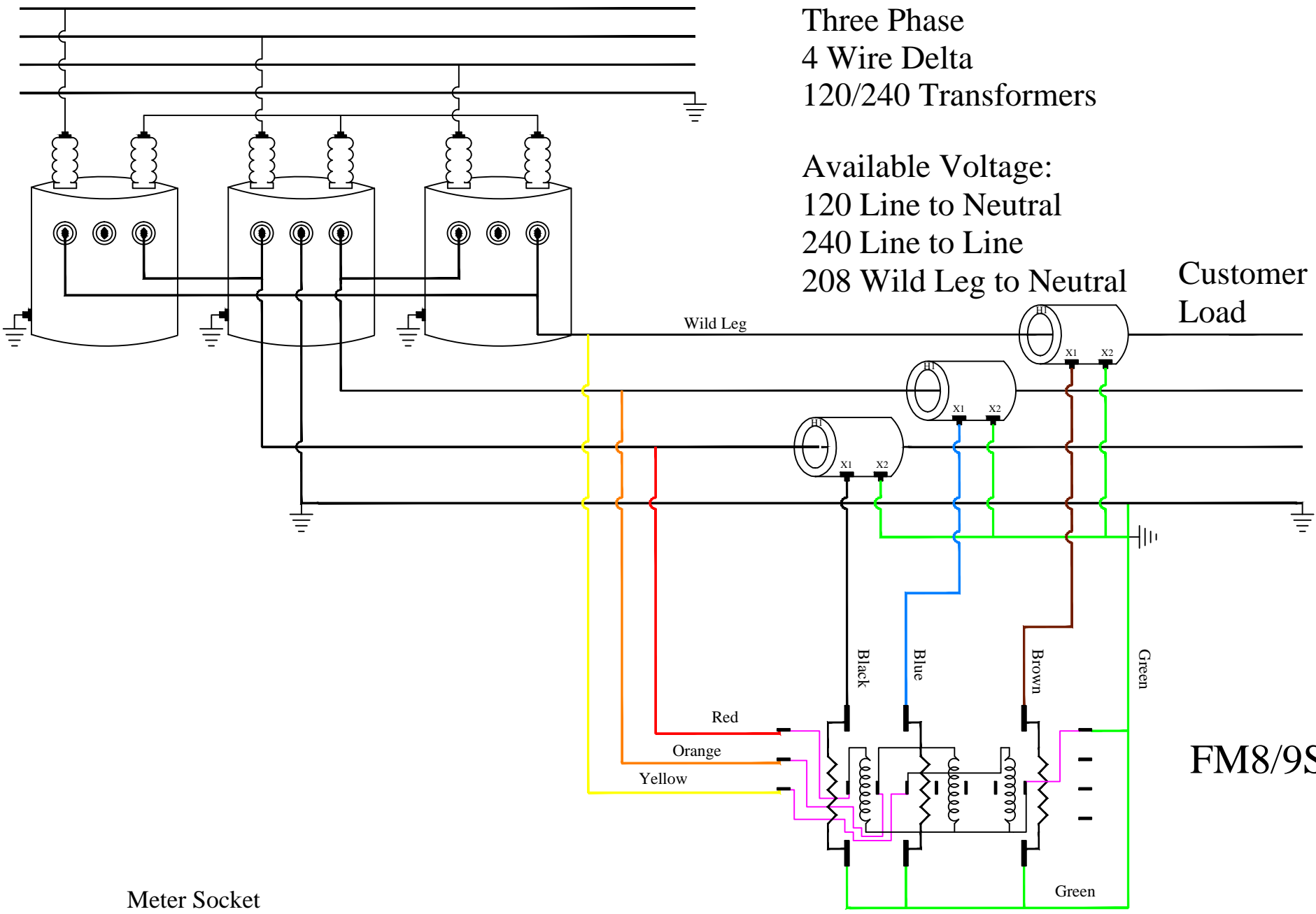


Three Phase  
4 Wire Delta  
120/240 Transformers

Available Voltage:  
120 Line to Neutral  
240 Line to Line  
208 Wild Leg to Neutral

Customer  
Load



Meter Socket  
Must Be Grounded

FM8/9S